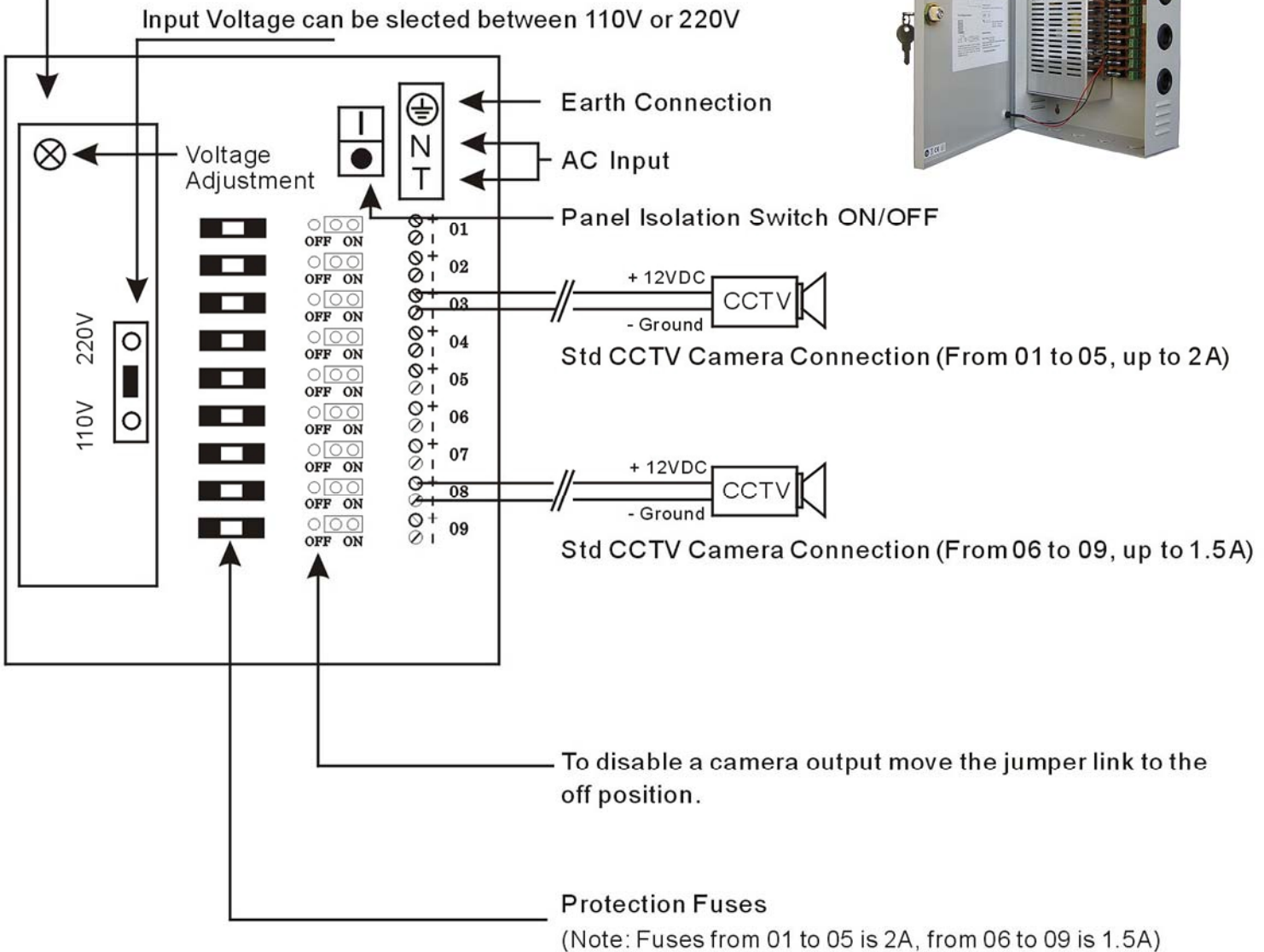


12VDC 9 OUTPUT SWITCH MODE CCTV POWER SUPPLY ,16A

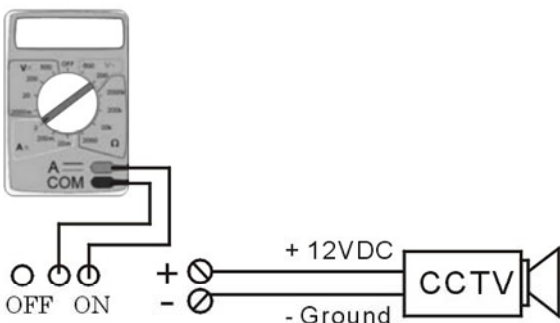


Connection Diagram:

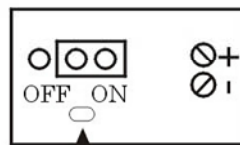
Switch Mode Power Supply



Test & Measurement:



To determine the current(A) draw of a camera remove the jumper link, set your meter to $\overline{\text{A}}$ A/ Amps DC, and with the camera connected measure the current across the ON and COMMON terminals.



LED Fuse Status Indicator
LED ON = Fuse OK
LED OFF = Fuse Fault

Specifications:

Input Voltage: AC100~120V
AC220~240V

Output Current: 5x2A+4x1.5A fused outlets(18Amax)

Output Power: 200W

Dimensions(mm):

* **For Indoor Use Only**