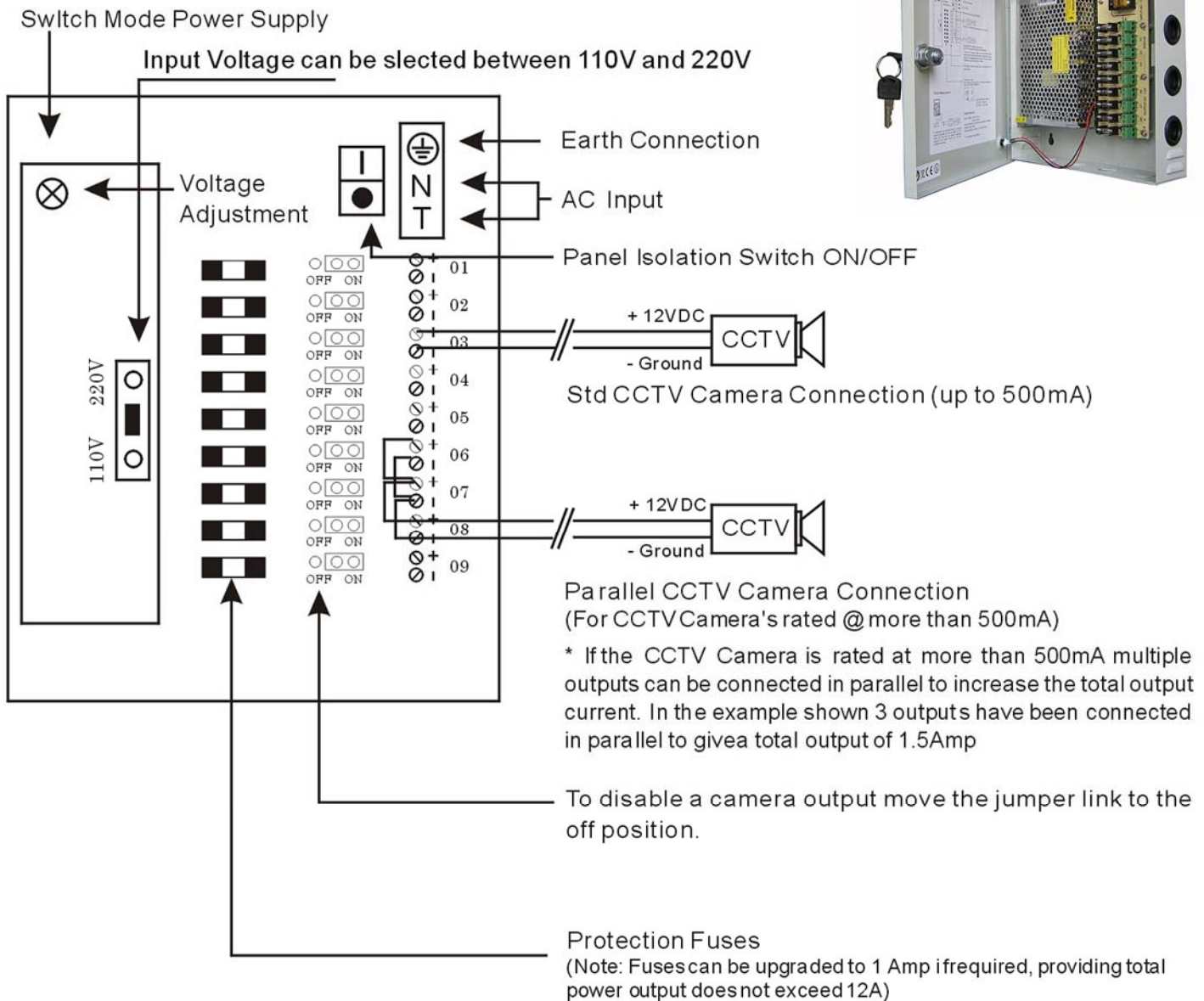


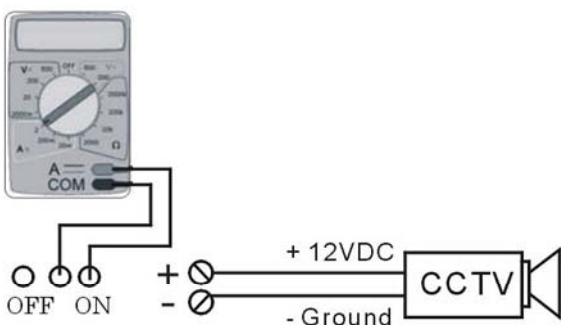
12VDC 9 OUTPUT SWITCH MODE CCTV POWER SUPPLY ,5A



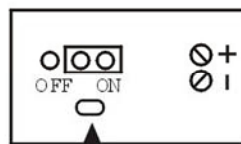
Connection Diagram:



Test & Measurement:



To determine the current(A) draw of a camera remove the jumper link, set your meter to A/DC Amps DC, and with the camera connected measure the current across the ON and COMMON terminals.



LED Fuse Status Indicator
LED ON = Fuse OK
LED OFF = Fuse Fault

Specifications:

Input Voltage: AC100~120V
AC220~240V

Output Current : 9 x 500mA fused outlets (7.5A Max)

Output Power : 60W

Dimensions(mm) : 240(L) x 210(W) x 65(H)

* For Indoor Use Only